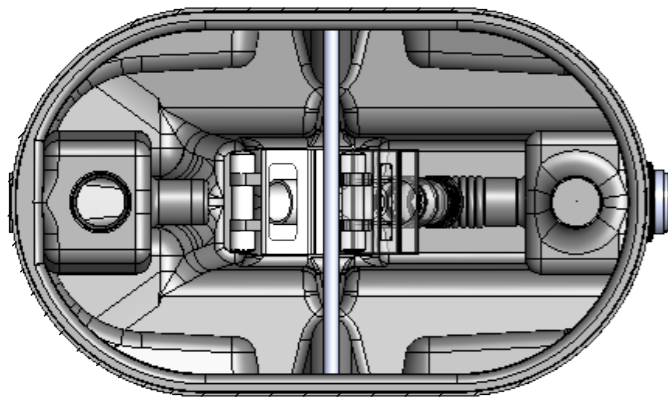
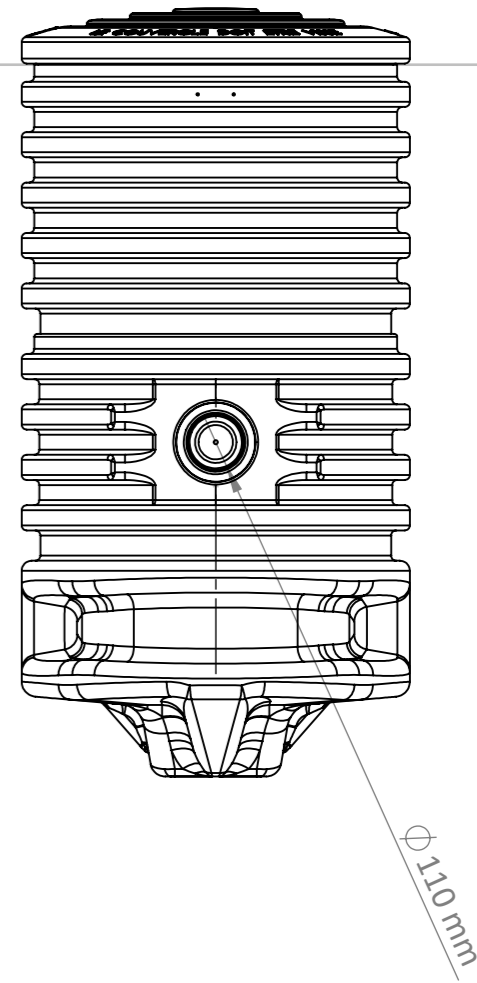
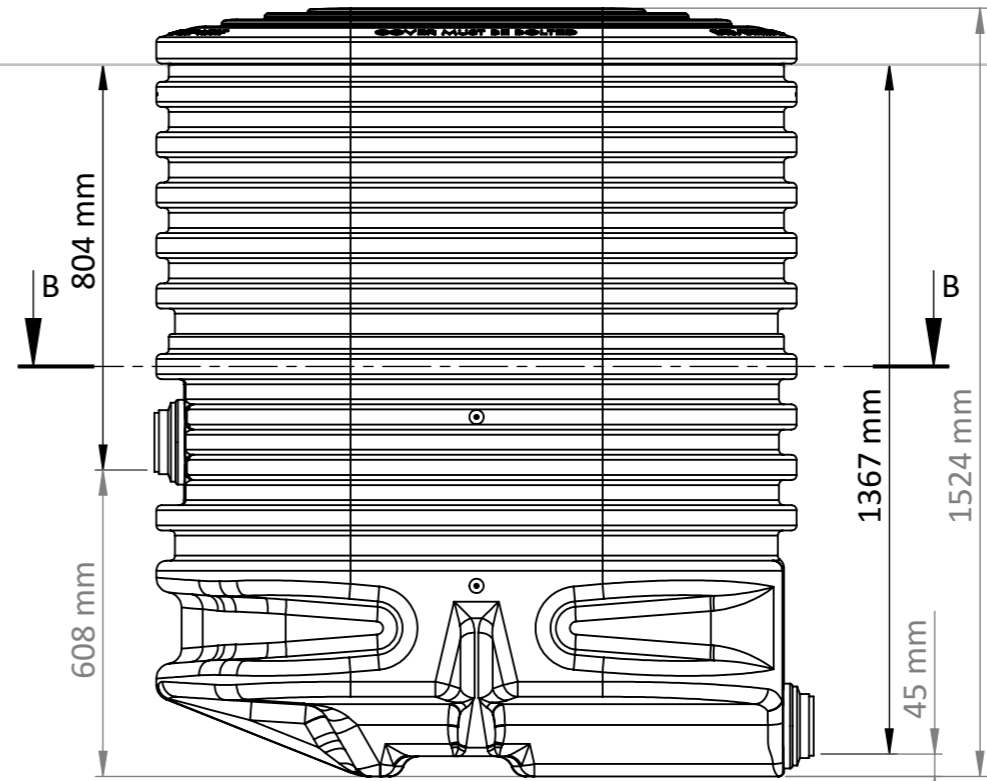
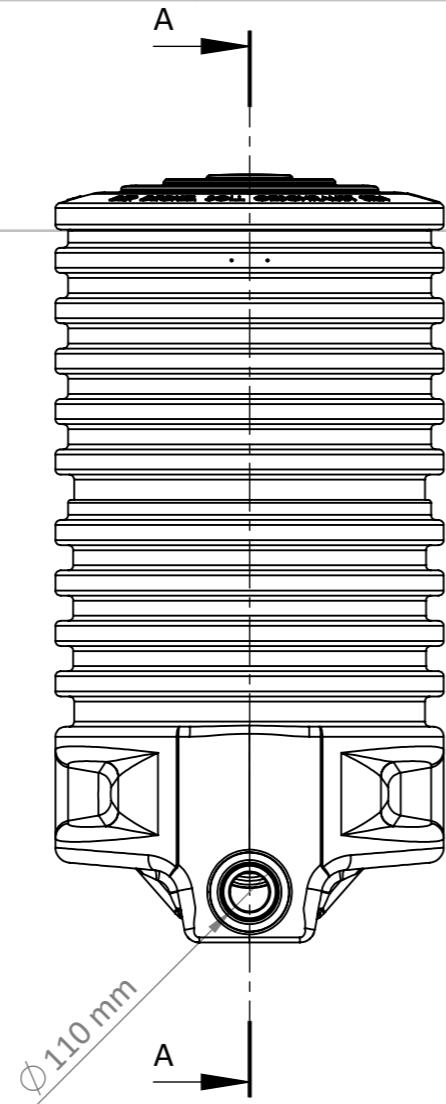
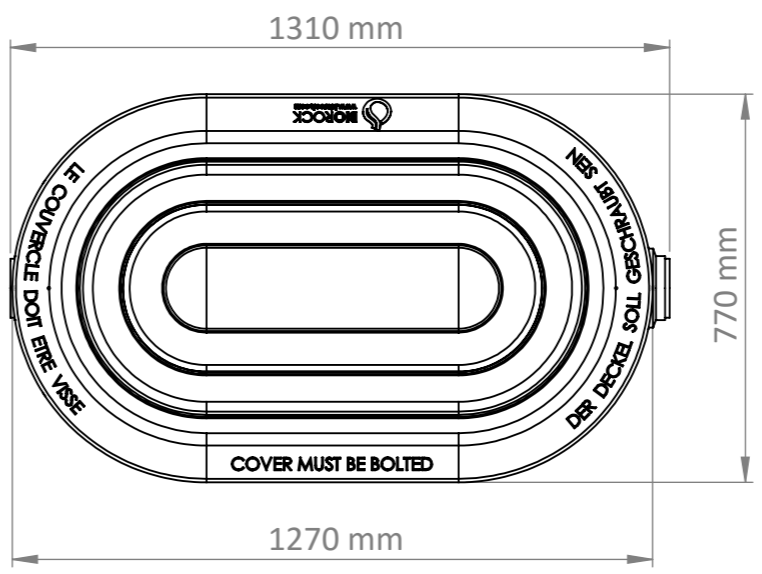



CROSS-SECTION A-A



CROSS-SECTION B-B



Service :					
ORIGINATOR					
	NAME	SIGNATURE	DATE	FLOW CONTROL CHAMBER	
AUTHOR	AQ		06/04/2016		
APPROV.				Nb. of PLAN	
CHANGES					
	NAME	SIGNATURE	DATE	SCALE:1:15	
AUTHOR					
APPROV.					